



2400 BOUNDARY ROAD  
 BURNABY B.C. V5M3Z3  
 CANADA

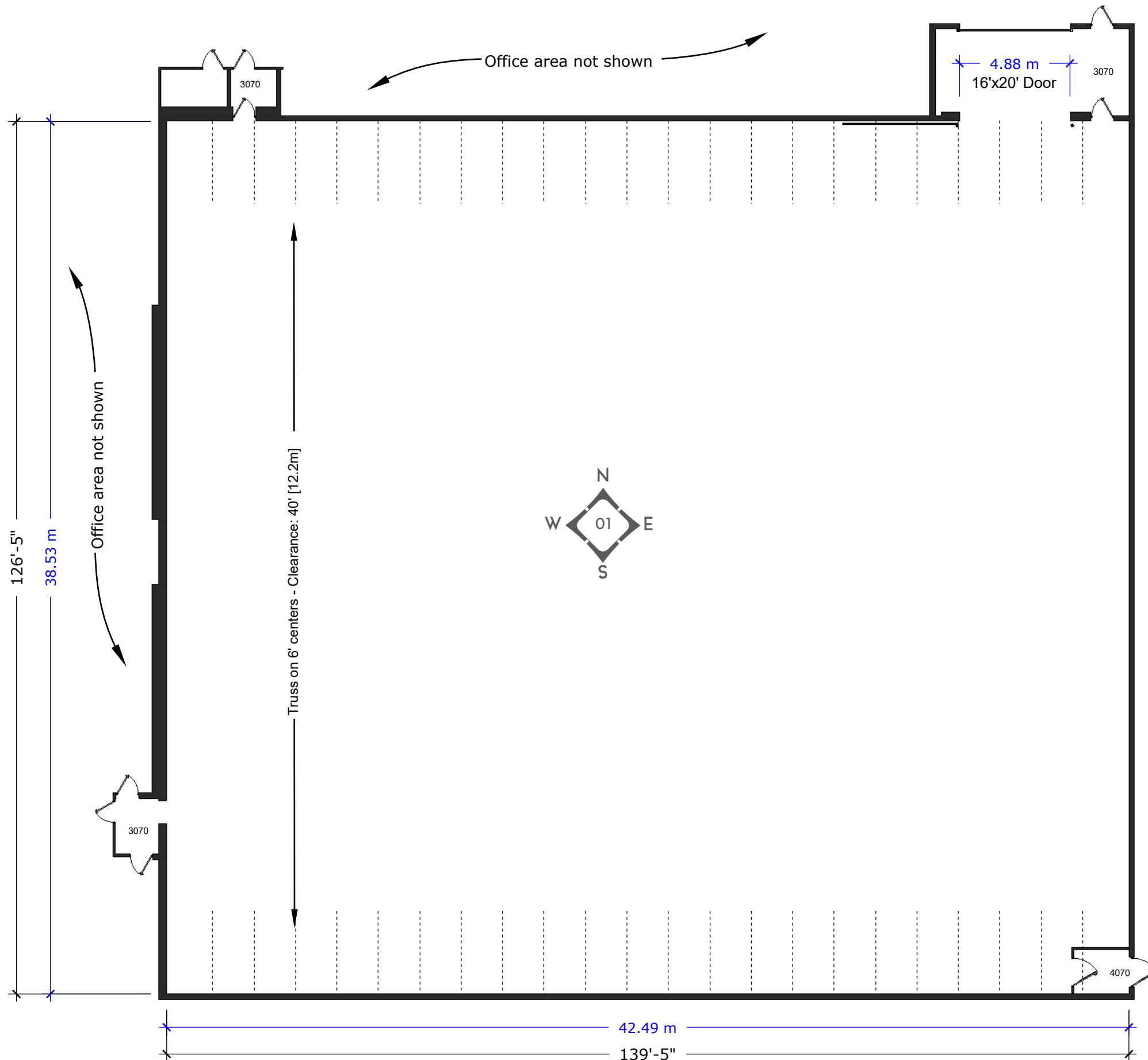
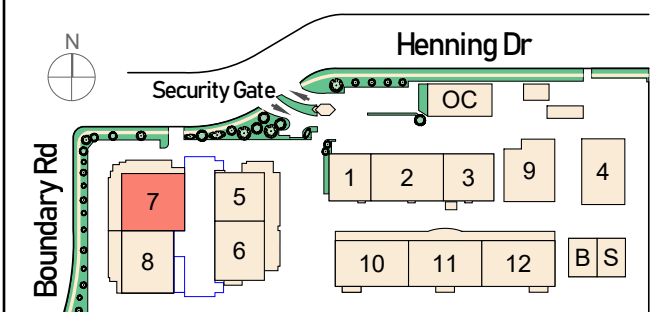
T: 604.482.2000  
 F: 604.482.2007

# SOUND STAGE: 7

## FEATURES

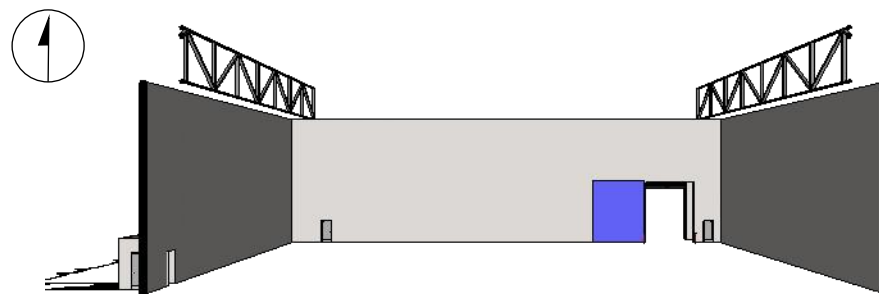
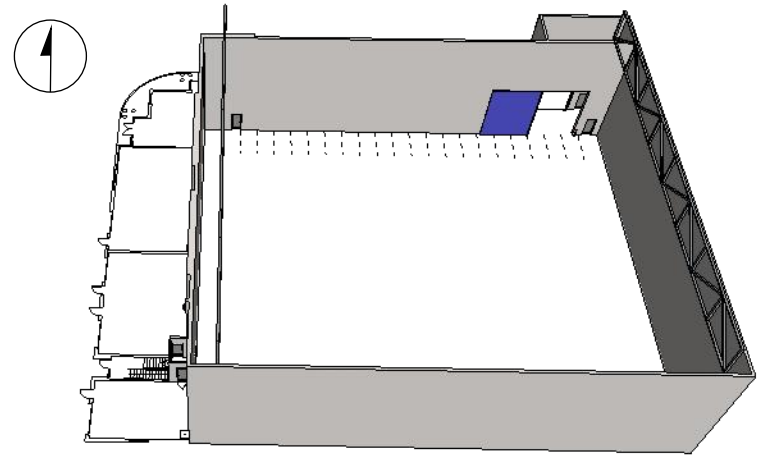
- 18,000 sq.ft. [1672.25m sq.]
- Soundproof - Full Acoustic Paneling
- 16' Loading Doors
- 1600amps 120/208v w/ 1600amps available upon request
- GRID = 4,500lbs./ point on Truss
- 35,000cfm exhaust fan
- HVAC - 40 ton capacity /CO2 Sensor

## SITE LEGEND



**S7** STAGE 7 - PLAN  
 scale: 1/16" = 1' [1:192]





2400 BOUNDARY ROAD  
BURNABY B.C. V5M3Z3  
CANADA

T: 604.482.2000  
F: 604.482.2007

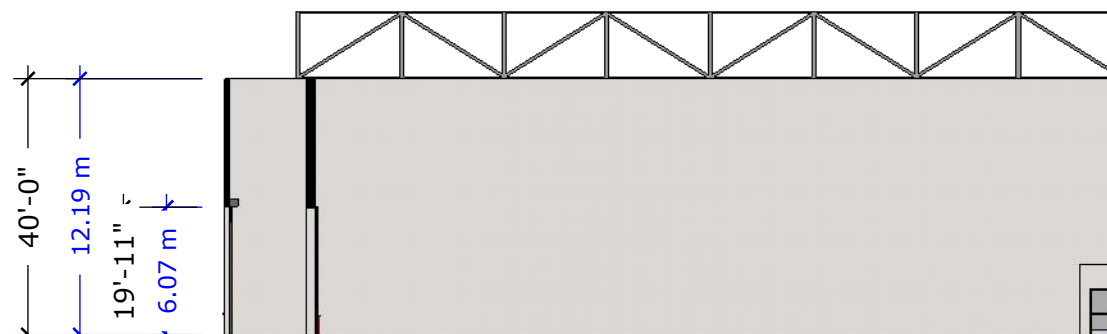
## SOUND STAGE: 7

### FEATURES

- 18,000 sq.ft. [1672.25m sq.]
- Soundproof - Full Acoustic Paneling
- 16' Loading Doors
- 1600amps 120/208v w/ 1600amps available upon request
- GRID = 4,500lbs./ point on Truss
- 35,000cfm exhaust fan
- HVAC - 40 ton capacity /CO2 Sensor



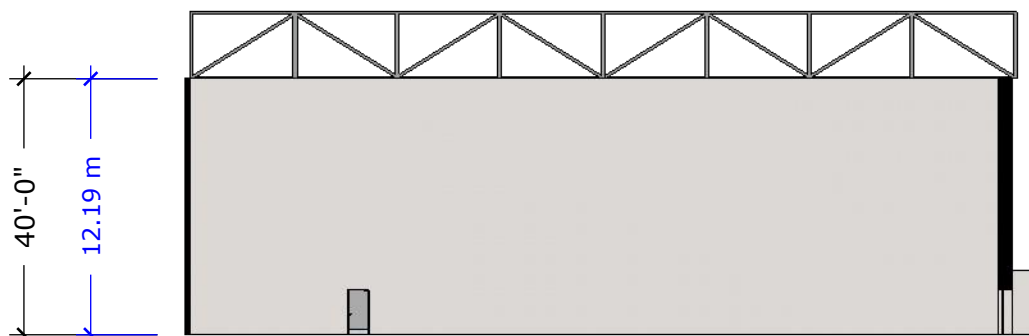
**N** ELEV NORTH  
scale: 1" = 30' [1:360]



**E** ELEV EAST  
scale: 1" = 30' [1:360]



**S** ELEV SOUTH  
scale: 1" = 30' [1:360]



**W** ELEV WEST  
scale: 1" = 30' [1:360]

### SITE LEGEND

