

SB STAGE B - PLAN
scale: 1" = 10' [1:120]



2400 BOUNDARY ROAD
BURNABY B.C. V5M3Z3
CANADA

T: 604.482.2000
F: 604.482.2007

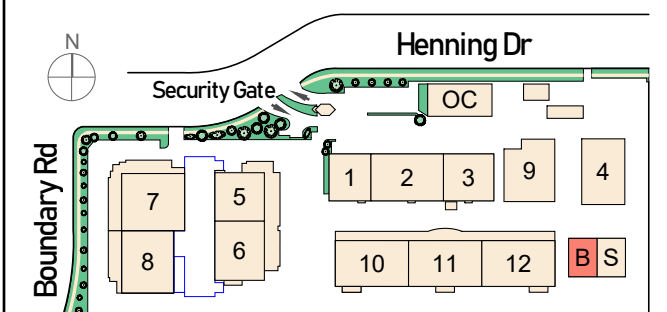
SOUND STAGE: B

(BABY STAGE)

FEATURES

- 4,600sq.ft. [427.35m sq.]
- 12' x 20' Door

SITE LEGEND



2400 BOUNDARY ROAD
 BURNABY B.C. V5M3Z3
 CANADA

T: 604.482.2000
 F: 604.482.2007

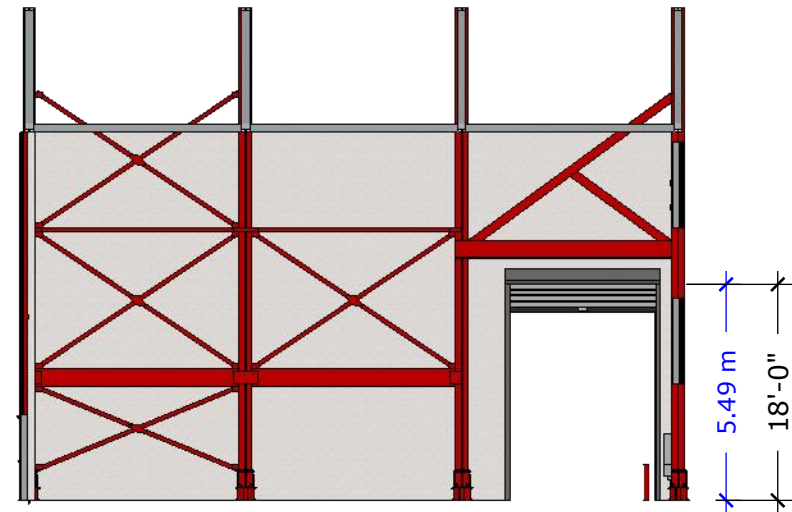
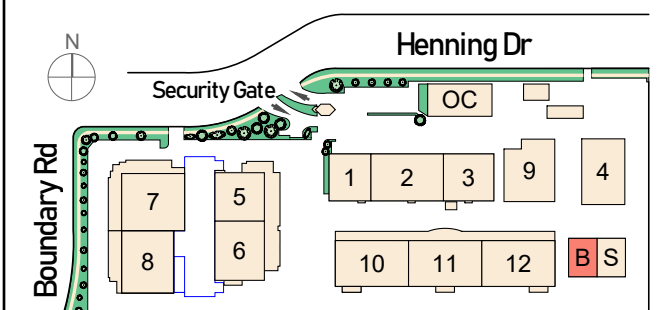
SOUND STAGE: B

(BABY STAGE)

FEATURES

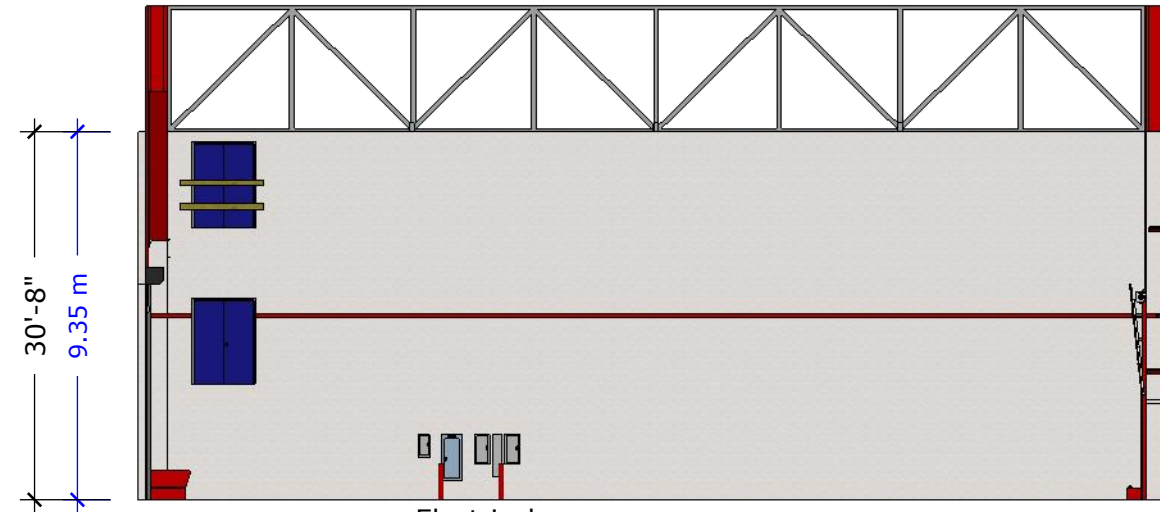
- 4,600sq.ft. [427.35m sq.]
- 12' x 20' Door

SITE LEGEND



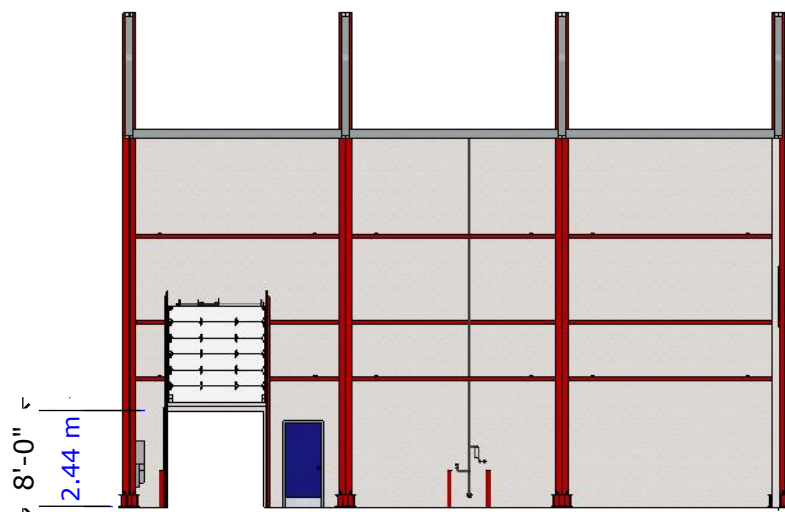
12' x 20' Door

N ELEV NORTH
 scale: 1/16" = 1' [1:192]



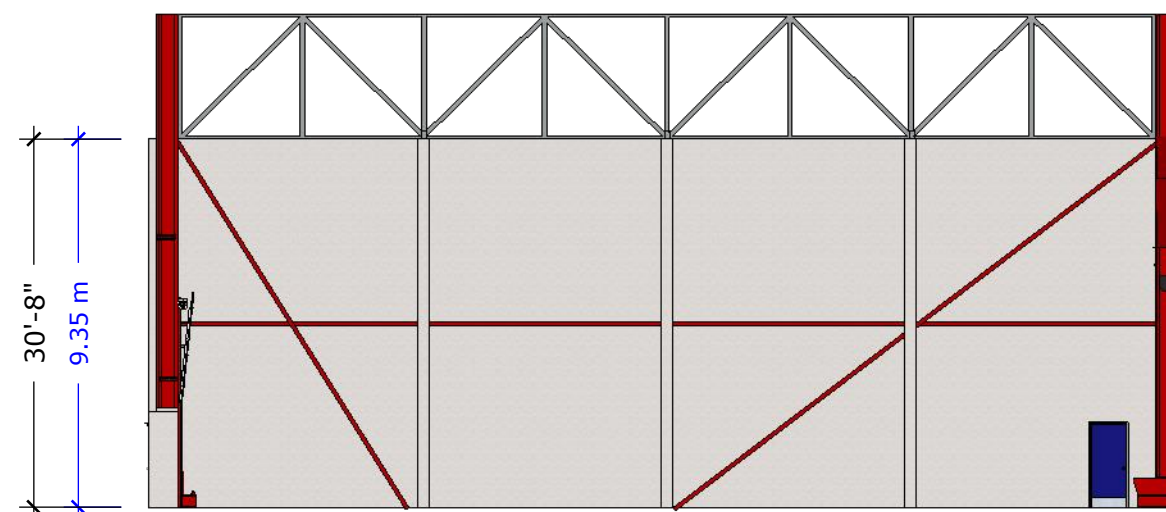
Electrical

E ELEV EAST
 scale: 1/16" = 1' [1:192]



8' x 8' Door Sprinkler Sys.

S ELEV SOUTH
 scale: 1/16" = 1' [1:192]



W ELEV WEST
 scale: 1/16" = 1' [1:192]